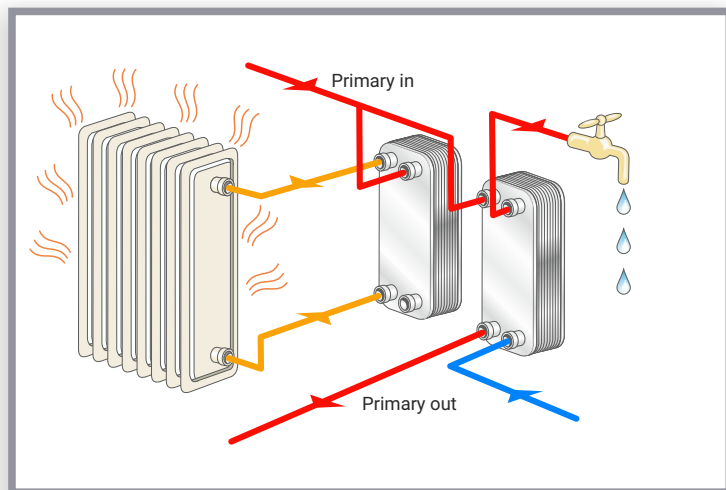
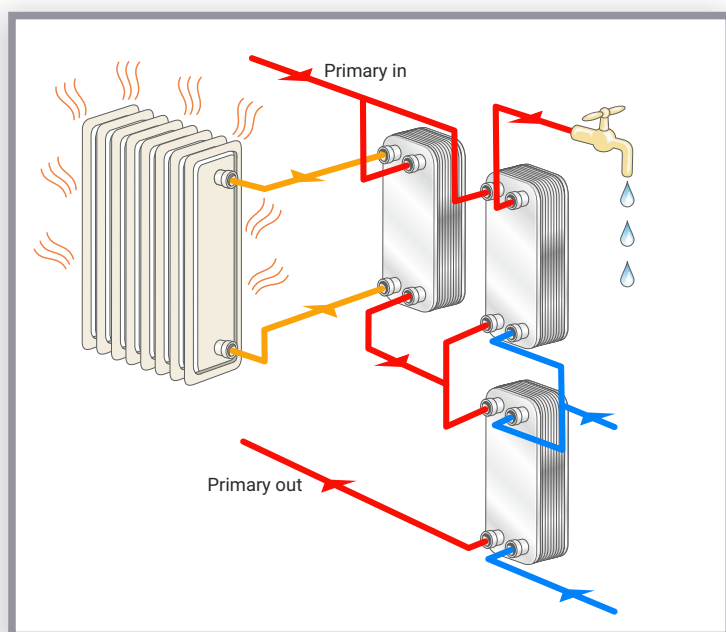


Substation - Parallel system



By using separate heat exchangers for space heating and hot tap water systems, the primary heat carrier is cooled only once in a traditional parallel system.

Substation - 2-stage system



The primary return flow from the radiator heat exchanger is mixed with the primary flow from the after-heater. The mixed flow enters a third heat exchanger, the preheater. Its main purpose is to preheat the cold water before it enters the after-heater and is therefore called a 2-stage system.